

# COMBI 3

MULTI-HEAT ENERGY BUFFER WITH POLYWARM® COATED TANK IN TANK CALORIFIER FOR D.H.W. AND 2 FIXED HEAT EXCHANGERS



## APPLICATION

Heating hot water storage and D.H.W. production.

## MATERIAL

**Buffer tank:** Mild steel construction with exterior paint. No anti-corrosion treatment required due to the buffer's closed circuit system.

**D.H.W. storage:** Mild steel Polywarm® coated (Attestation ACS - SSICA - DVGW - W270 - UBA - WRAS)

## HEAT EXCHANGERS

2 fixed heat exchangers

## TECHNICAL DESCRIPTION

Multi-Heat Energy tanks Combi3 are used in units with a typically discontinuous energy source for double use: heating systems and domestic hot water systems.

## INSULATION

- HARD: High thermal insulation with ecological polyurethane hard foam.  
- SOFT: NOFIRE® polyester fleece 100% made of recyclable material, with high thermal insulation. Fire resistance class B-s2d0 according to EN 13501.

Grey PVC external lining complete with top cover

## CATHODE PROTECTION

Chain magnesium anode

## WARRANTY

5 years - See general sales conditions and warranty

## ACCESSORIES AND SPARE PARTS

See Accessories section for the entire list.

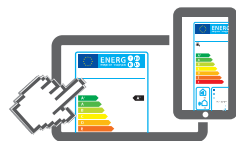


HARD FOAM INSULATION



## COMBI 3 WB

Model	HARD FOAM insulation Art. Nr.	D.H.W. STORAGE		UPPER HEAT EXCHANGER		LOWER HEAT EXCHANGER		ENERGY EFFICIENCY CLASS ErP
		Volume [lt]	Surface [m²]	Volume [lt]	Surface [m²]	Volume [lt]	Surface [m²]	
500	3270162314201	99	1,1	8	1,3	11,5	1,9	C
600	3270162314202	146	1,3	12	1,9	18	2,8	C
800	3270162314203	191	1,6	16	2,4	20	3,1	C
1000	3270162314204	226	1,8	20	3,1	24	3,7	C
1500	3270162314205	412	2,5	23	3,5	32	4,9	C
2000	3270162314206	566	3,1	27	4,1	35	5,4	C



[www.cordivari.com/erp](http://www.cordivari.com/erp)

On line ErP label tool

SOFT FLEECE INSULATION



## COMBI 3 WC

Model	DISMOUNTABLE SOFT FLEECE insulation Art. Nr.	D.H.W. STORAGE		UPPER HEAT EXCHANGER		LOWER HEAT EXCHANGER		ENERGY EFFICIENCY CLASS ErP
		Volume [lt]	Surface [m²]	Volume [lt]	Surface [m²]	Volume [lt]	Surface [m²]	
800	3270162284212	191	1,6	16	2,4	20	3,1	C
1000	3270162284213	226	1,8	20	3,1	24	3,7	C
1500	3270162284214	412	2,5	23	3,5	32	4,9	C
2000	3270162284215	566	3,1	27	4,1	35	5,4	C

FOR 316L STAINLESS STEEL MODELS - SEE PAGE 138

— Accessories on request —

### Thermometer

Art. Nr.	5032240000107
	5 units box



### Chain magnesium anode (connection 3/4")

Art. Nr.	For models
5200000041007	800÷2000
5200000041016	500,600
N° 2 chain anodes + insulated cap + gasket	



### Buffer tanks connecting kit

Art. Nr.	Connection
5006170001001	1" 1/2
Stainless steel extensible connecting kit - (200 ÷ 400 mm)	

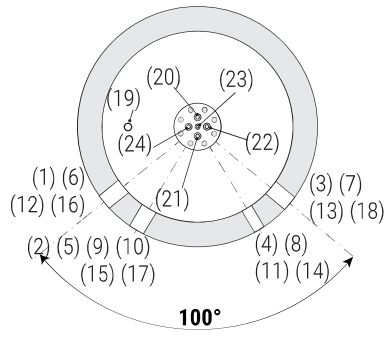
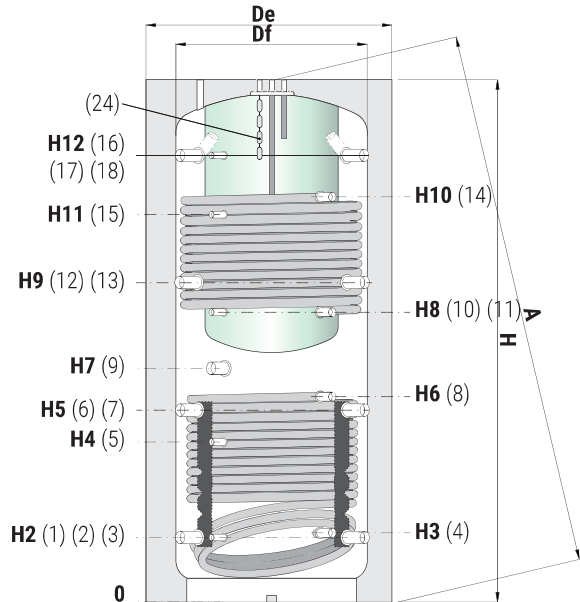
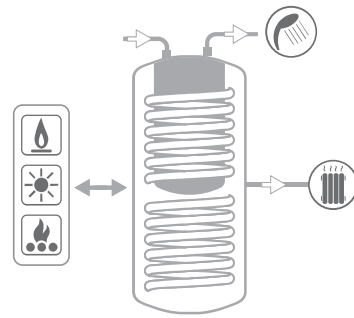


# COMBI 3

MULTI-HEAT ENERGY BUFFER WITH POLYWARM® COATED TANK IN TANK CALORIFIER FOR D.H.W. AND 2 FIXED HEAT EXCHANGERS

TECHNICAL STORAGE		D.H.W. STORAGE		FIXED HEAT EXCHANGER	
Pmax	Tmax	Pmax	Tmax	Pmax	Tmax
3 bar	99 °C	6 bar	90 °C	12 bar	110 °C

**CORDIVARI Lab**  
TÜV Rheinland Energie und Umwelt GmbH states that test procedures and Cordivari LAB are certified conforming to European standard EN 15332, as indicated by Ecodesign ErP Directive.



- 1-3** Heating return/To Generator 1"1/2 Gas F
- 2** Connection for instrumentation 1/2" Gas F
- 4** Lower fixed heat exchanger outlet 1" Gas F
- 5** Connection for instrumentation 1/2" Gas F
- 6-7** Heating return/To Generator 1"1/2 Gas F
- 8** Lower fixed heat exchanger inlet 1" Gas F
- 9** Electrical immersion 1"1/2 Gas F
- 10** Connection for instrumentation 1/2" Gas F
- 11** Upper fixed heat exchanger outlet 1" Gas F
- 12-13** Heating return/To additional generator/Heating delivery 1"1/2 Gas F
- 14** Upper fixed heat exchanger inlet 1" Gas F
- 15** Connection for instrumentation 1/2" Gas F
- 16-18** Heating return/Heating delivery 1"1/2 Gas F
- 17** Connection for instrumentation 1/2" Gas F
- 19** Air purge 1/2" Gas F
- 20** Domestic hot water inlet 3/4" Gas F
- 21** Domestic hot water outlet 3/4" Gas F
- 22** Recirculation 3/4" Gas F
- 23** Connection for instrumentation 1/2" Gas F
- 24** Chain magnesium anode 3/4" Gas F



P.E.D. product designed and produced in conformity to the article 4.3 of directive 2014/68/UE - ErP Ecodesign directive 2009/125/CE

Model	Volume [lt]	Df (vers. WC)	De (vers. WC)	De (vers. WB)	H	A	H2	H3	H4	H5	H6	H7	H8	H9	H10	H11	H12
		[mm]			[mm]												
<b>500</b>	478	//	//	750	1670	2108	247	260	533	629	744	841	930	1011	1231	1231	1343
<b>600</b>	560	//	//	750	1920	2061	247	260	582	695	855	915	1060	1144	1500	1382	1593
<b>800</b>	803	790	1010	950	1890	2111	265	278	584	690	762	823	988	1115	1428	1332	1541
<b>1000</b>	944	790	1010	950	2180	2374	265	284	656	787	953	998	1188	1309	1748	1588	1831
<b>1500</b>	1431	950	1210	1100	2300	2550	313	336	736	845	1006	1061	1286	1377	1805	1653	1909
<b>2000</b>	1961	1100	1360	1300	2370	2703	347	370	770	879	1001	1060	1300	1411	1820	1687	1943

- EXTRA-BOLLY® CALORIFIERS
- BOLLYTERM® CALORIFIERS
- STAINLESS STEEL CALORIFIERS
- CALORIFIERS FOR HEAT PUMP
- MULTIFUEL ENERGY CYLINDERS - PUFFER
- HYDRONIC
- INERTIAL TANKS
- WATER PRESSURE TANKS
- COMPRESSED AIR RECEIVERS
- ACCESORIES AND SPARE PARTS
- TECHNICAL SUPPORT