

PUFFER

HEATING WATER BUFFER TANK



APPLICATION

Efficient storage of heating hot water mostly using biomass, heat pumps or solar thermal energy sources.

MATERIAL

Mild steel outside painted. There is no need of any anti-corrosion treatment due to the fact that the buffer is in a closed circuit without any adding air.

TECHNICAL DESCRIPTION

Used to improve flexibility of pellets, stoves and burners. PUFFER are used in units with a typically discontinuous energy source such as biomass boiler and solar thermal system.

INSULATION

- HARD: High thermal insulation with ecological polyurethane hard foam.
- SOFT: NOFIRE® polyester fleece 100% made of recyclable material, with high thermal insulation. Fire resistance class B-s2d0 according to EN 13501.

Grey PVC external lining complete with top and flange cover

WARRANTY

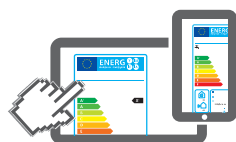
5 years - See general sales conditions and warranty

ACCESSORIES AND SPARE PARTS

See Accessories section for the entire list.



HARD FOAM INSULATION



www.cordivari.com/erp

On line ErP label tool



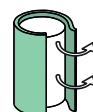
PUFFER VB

ENERGY EFFICIENCY CLASS

Model	HARD FOAM insulation	ErP
	Art. Nr.	
200	3251162312501	B
300	3251162312502	C
500	3251162312503	C
600	3251162312504	C
750	3251162312525	C
800	3251162312526	C
1000	3251162312527	C
1250	3251162312508	C
1500	3251162312509	C
2000	3251162312510	C

Model	DISMOUNTABLE HARD FOAM insulation	ErP
	Art. Nr.	
750	3251162312505	C
800	3251162312506	C
1000	3251162312507	C

SOFT FLEECE INSULATION



PUFFER VC

ENERGY EFFICIENCY CLASS

Model	DISMOUNTABLE SOFT FLEECE insulation	ErP
	Art. Nr.	
750	3251162282804	C
800	3251162282805	C
1000	3251162282806	C
1500	3251162282807	C
2000	3251162282808	C
3000	3251162282608	
5000	3251162282610	

— Accessories on request —

Thermometer

Art. Nr.
5032240000107
5 units box



Buffer tanks connecting kit

Art. Nr.	Connection
5006170001001	1" 1/2
Stainless steel extensible connecting kit - (200 ÷ 400 mm)	



PUFFER

HEATING WATER BUFFER TANK

STORAGE

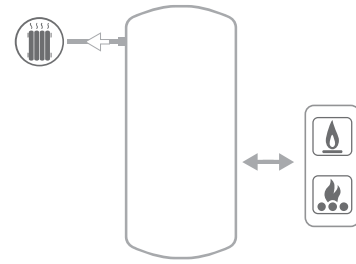
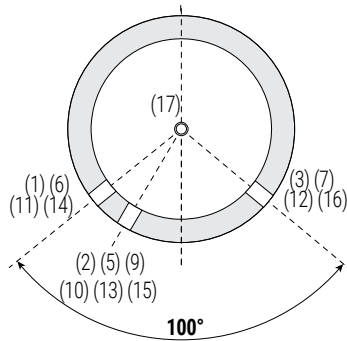
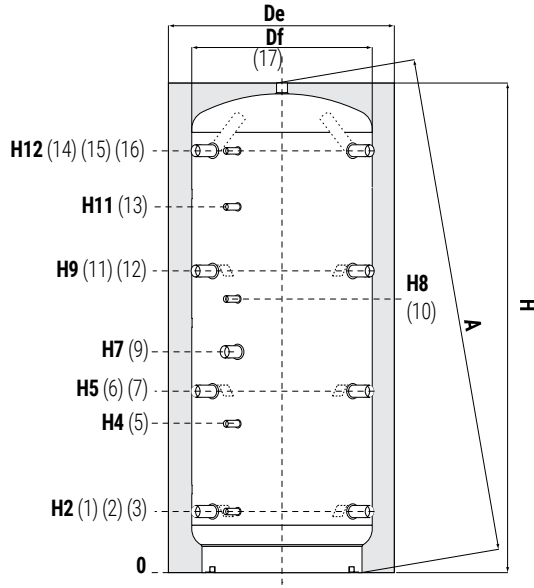
Pmax	Tmax
3 bar	99 °C



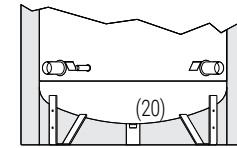
CORDIVARI Lab
TÜV Rheinland Energie
und Umwelt GmbH states
that test procedures and
Cordivari LAB are certified conforming
to European standard EN 15332, as
indicated by Ecodesign ErP Directive.



**ASK ALWAYS FOR
CERTIFIED LABORATORIES
DATA RESULTS**



- 1-3-6-7** Heating return/To Generator
- 2-5** Connection for instrumentation 1/2" Gas F
- 9** Electrical immersion
- 10** Connection for instrumentation 1/2" Gas F
- 11-12-14-16** Heating delivery/ Heating return
- 13** Connection for instrumentation 1/2" Gas F
- 15** Connection for instrumentation 1/2" Gas F
- 17** Heating delivery
- 20** Drain only for models 3000 e 5000



Only for models 3000 e 5000

P.E.D. product designed and produced in conformity to the article 4.3 of directive 2014/68/UE - ErP Ecodesign directive 2009/125/CE

Model	Volume [lit]	Df (vers. VC) [mm]	De (vers. VC) [mm]	De (vers. VB) [mm]	H [mm]	A [mm]	H2 [mm]	H4 [mm]
200	180	//	//	550	1299	1410	218	430
300	279	//	//	650	1340	1489	232	444
500	478	//	//	750	1620	1784	247	533
600	560	//	//	750	1870	2014	247	582
750	717	790	1010	950	1658	1911	265	584
800	805	790	1010	950	1840	2071	265	584
1000	946	790	1010	950	2130	2332	265	656
1250	1248	//	//	1050	2201	2439	313	705
1500	1454	950	1210	1100	2250	2504	313	736
2000	1973	1100	1360	1300	2320	2659	347	770
3000	2915	1250	1450	//	2814	3079	556	1017
5000	4985	1600	1800	//	2929	3338	586	1047

Model	H5 [mm]	H7 [mm]	H8 [mm]	H9 [mm]	H11 [mm]	H12 [mm]	Connections Gas F	
							1-3-6-7-9 11-12-14-16-17	20
200	500	576	711	782	871	1064	1" 1/2	//
300	514	590	725	796	885	1078	1" 1/2	//
500	629	841	930	1011	1231	1343	1" 1/2	//
600	695	915	1060	1144	1382	1593	1" 1/2	//
750	630	823	938	995	1180	1371	1" 1/2	//
800	690	823	988	1115	1332	1541	1" 1/2	//
1000	787	998	1188	1309	1588	1831	1" 1/2	//
1250	835	986	1168	1357	1568	1879	1" 1/2	//
1500	845	1061	1286	1377	1653	1909	1" 1/2	//
2000	879	1060	1300	1411	1687	1943	1" 1/2	//
3000	1071	1693	1879	1786	2140	2402	2"	1"
5000	1101	1691	1889	1816	2159	2432	2"	2"

- EXTRA- BOLLY® CALORIFIERS
- BOLLYTERM® CALORIFIERS
- STAINLESS STEEL CALORIFIERS
- CALORIFIERS FOR HEAT PUMP
- MULTIFUEL ENERGY CYLINDERS - PUFFER
- HYDRONIC
- INERTIAL TANKS
- WATER PRESSURE TANKS
- COMPRESSED AIR RECEIVERS
- ACCESSORIES AND SPARE PARTS
- TECHNICAL SUPPORT