

PUFFER 2

HEATING WATER BUFFER TANK WITH 2 FIXED HEAT EXCHANGERS



APPLICATION

Efficient storage of heating hot water mostly using biomass, heat pumps or solar thermal energy sources.

MATERIAL

Mild steel outside painted. There is no need of any anti-corrosion treatment due to the fact that the buffer is in a closed circuit without any adding air.

HEAT EXCHANGERS

2 mild steel fixed heat exchangers

TECHNICAL DESCRIPTION

Used to improve flexibility of pellets, stoves and burners. PUFFER 2 are used in units with a typically discontinuous energy source such as biomass boiler and solar thermal system. PUFFER 2 allows the solar energy system integration as well as another thermal generator.

INSULATION

- HARD: High thermal insulation with ecological polyurethane hard foam.
- SOFT: NOFIRE® polyester fleece 100% made of recyclable material, with high thermal insulation. Fire resistance class B-s2d0 according to EN 13501.

Grey PVC external lining complete with top and flange cover

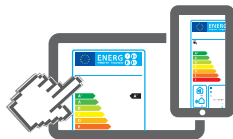
WARRANTY

5 years - See general sales conditions and warranty

ACCESSORIES AND SPARE PARTS

See Accessories section for the entire list.

HARD FOAM INSULATION



www.cordivari.com/erp

On line ErP label tool

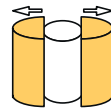
SOFT FLEECE INSULATION



PUFFER 2 VB

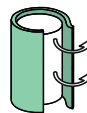
Model	HARD FOAM insulation		HEAT EXCHANGER SURFACE		ENERGY EFFICIENCY CLASS
	Art. Nr.	Price €	Upper	Lower	
500	3251162312703	1.207,00	1,3	1,9	C
600	3251162312704	1.271,00	1,3	2,1	C
750	3251162312715	1.466,00	1,8	2,5	C
800	3251162312716	1.584,00	1,5	2,3	C
1000	3251162312717	1.753,00	2,5	3,1	C
1500	3251162312709	2.408,00	2,8	3,8	C
2000	3251162312710	3.062,00	2,8	4,6	C

Model	DISMOUNTABLE HARD FOAM insulation		HEAT EXCHANGER SURFACE		ENERGY EFFICIENCY CLASS
	Art. Nr.	Price €	Upper	Lower	
750	3251162312705	1.559,00	1,8	2,5	C
800	3251162312706	1.632,00	1,5	2,3	C
1000	3251162312707	1.807,00	2,5	3,1	C



PUFFER 2 VC

Model	DISMOUNTABLE SOFT FLEECE insulation		HEAT EXCHANGER SURFACE		ENERGY EFFICIENCY CLASS
	Art. Nr.	Price €	Upper	Lower	
750	3251162282824	1.389,00	1,8	2,5	C
800	3251162282825	1.501,00	1,5	2,3	C
1000	3251162282826	1.658,00	2,5	3,1	C
1500	3251162282827	2.199,00	2,8	3,8	C
2000	3251162282828	2.703,00	2,8	4,6	C



Accessories on request

Monophase and threephase electrical immersion

	
Available kit:	
[Kw]	Tension [V]
da 1,5 a 3	220 - MONOPHASE
da 4 a 9	400 - TRIPHASE
See accessories	

Thermometer

Art. Nr.	€	
5032240000107	84,00	
5 units box		

Buffer tanks connecting kit

Art. Nr.	€	Connection	
5006170001001	121,00	1" 1/2	
Stainless steel extensible connecting kit - (200 ÷ 400 mm)			

PUFFER 2

HEATING WATER BUFFER TANK WITH 2 FIXED HEAT EXCHANGERS

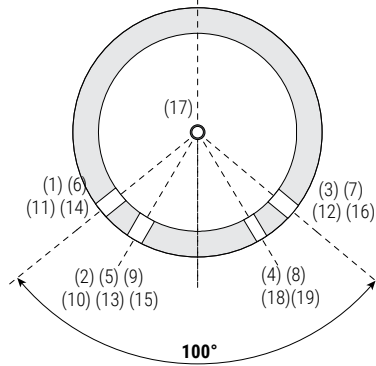
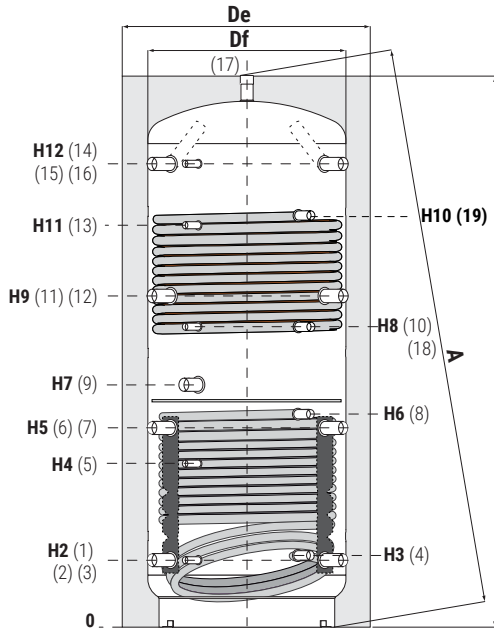
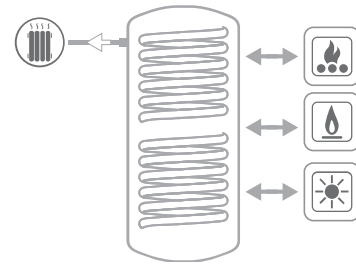
STORAGE		HEAT EXCHANGER	
Pmax	Tmax	Pmax	Tmax
3 bar	99 °C	12 bar	110 °C



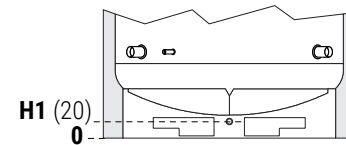
CORDIVARI Lab
TÜV Rheinland Energie und Umwelt GmbH states that test procedures and Cordivari LAB are certified conforming to European standard EN 15332, as indicated by Ecodesign ErP Directive.



ASK ALWAYS FOR CERTIFIED LABORATORIES DATA RESULTS



- 1-3-6-7** Heating return/To Generator
- 2-5** Connection for instrumentation 1/2" Gas F
- 4** Lower fixed heat exchanger outlet
- 8** Lower fixed heat exchanger inlet
- 9** Electrical immersion
- 10** Connection for instrumentation 1/2" Gas F
- 11-12-14-16** Heating delivery/ Heating return
- 13** Connection for instrumentation 1/2" Gas F
- 15** Connection for instrumentation 1/2" Gas F
- 17** Heating delivery
- 18** Upper fixed heat exchanger outlet 1" Gas F
- 19** Upper fixed heat exchanger inlet 1" Gas F



P.E.D. product designed and produced in conformity to the article 4.3 of directive 2014/68/UE - ErP Ecodesign directive 2009/125/CE

Model	Volume [lt]	Df (vers. VC)	De (vers. VC)	De (vers. VB)	H	A	H2	H3	H4
		[mm]		[mm]					
500	478	//	//	750	1620	1784	247	260	533
600	560	//	//	750	1870	2014	247	260	582
750	717	790	1010	950	1658	1911	265	278	584
800	805	790	1010	950	1840	2071	265	278	584
1000	946	790	1010	950	2130	2332	265	284	656
1500	1435	950	1210	1100	2250	2504	313	336	736
2000	1973	1100	1360	1300	2320	2659	347	370	770

Model	H5	H6	H7	H8	H9	H11	H12	1-3-6-7-9-11-12-14-16-17	4-8	20
	[mm]							Connections Gas F		
500	629	745	841	930	1011	1231	1343	1" 1/2	1"	//
600	695	855	915	1060	1144	1382	1593	1" 1/2	1"	//
750	630	679	823	938	995	1180	1371	1" 1/2	1"	//
800	690	762	823	988	1115	1332	1541	1" 1/2	1"	//
1000	787	953	998	1188	1309	1588	1831	1" 1/2	1"	//
1500	845	1006	1061	1286	1377	1653	1909	1" 1/2	1"	//
2000	879	1001	1060	1300	1411	1687	1943	1" 1/2	1"	//

- EXTRA-BOLLY® CALORIFIERS
- BOLLYTERM® CALORIFIERS
- STAINLESS STEEL CALORIFIERS
- CALORIFIERS FOR HEAT PUMP
- MULTIFUEL ENERGY CYLINDERS - PUFFER
- HYDRONIC
- INERTIAL TANKS
- WATER PRESSURE TANKS
- COMPRESSED AIR RECEIVERS
- ACCESSORIES AND SPARE PARTS
- TECHNICAL SUPPORT