

BOLLY® 2 ST INOX

316 L STAINLESS STEEL DOMESTIC HOT WATER CALORIFIER WITH 2 FIXED HEAT EXCHANGERS



APPLICATION

Production and storage of domestic hot water.

MATERIAL

Stainless Steel 316 L suitable for domestic hot water according to D.M. n. 174 dated 06.04.04.

HEAT EXCHANGER

2 stainless steel 316L fixed heat exchangers

INSULATION

- HARD: High thermal insulation with ecological polyurethane hard foam.
- SOFT: NOFIRE® polyester fleece 100% made of recyclable material, with high thermal insulation. Fire resistance class B-s2d0 according to EN 13501.

Grey PVC external lining complete with top and flange cover

CATHODE PROTECTION

Magnesium anode.

DRAIN

External confluence through drain connection.

GASKET- FLANGE PLATE

Silicone gaskets suitable for alimentary use; Stainless steel exchanger head.

WARRANTY

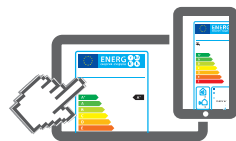
5 years - See general sales conditions and warranty

ACCESSORIES AND SPARE PARTS

See Accessories section for the entire list.



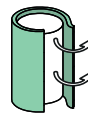
HARD FOAM INSULATION



www.cordivari.com/erp

On line ErP label tool

SOFT FLEECE INSULATION



BOLLY® 2 ST XB

Model	HARD FOAM insulation Art. Nr.	STAINLESS STEEL HEAT EXCHANGER SURFACE		ENERGY EFFICIENCY CLASS
		Upper	Lower	
150	3135052010351	0,4	0,6	B
200	3135052010352	0,5	1	B
300	3135052010353	0,85	1,5	B
400	3135052010324	1	1,8	C
500	3135052010355	1,2	2,1	C

BOLLY® 2 ST XC

Model	DISMOUNTABLE SOFT FLEECE insulation Art. Nr.	STAINLESS STEEL HEAT EXCHANGER SURFACE		ENERGY EFFICIENCY CLASS
		Upper	Lower	
800	3133052010076	1,5	2,7	C
1000	3133052010077	1,8	3,4	C
1300	3133052010078	2,1	3,7	C
1500	3133052010079	2,1	3,7	C
2000	3133052010080	2,3	4,1	C

ELECTRICAL IMMERSION HEATERS

Mod.	Volume of water heated by the electrical immersion [lt]	MONOPHASE			THREEPHASE					
		1,5 kW	2 kW	3 kW	4 kW	5 kW	6 kW	9 kW	12 kW	
		5240000000051	5240000000052	5240000000053	5240000000047	5240000000048	5240000000049	5240000000050	5240000000031	
		Ignition time from 10 °C to 45 °C with immersion heaters [min]								
150	42	76	57	38	//	//	//	//	//	
200	72	128	96	64	//	//	//	//	//	
300	113	202	152	101	//	//	//	//	//	
400	167	299	225	150	//	//	//	//	//	
500	184	329	247	165	//	//	//	//	//	
800	313	560	420	280	//	//	//	//	//	
1000	383	686	514	343	257	206	171	114	86	
1300	500	896	672	448	336	269	224	149	112	
1500	557	998	749	499	374	299	250	166	125	
2000	835	1495	1121	747	560	448	374	249	187	

— Accessories on request —

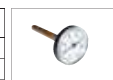
"Easy Control" Electronic Display

ART. NR.	FOR MODELS
5005000310002	XC
5005000310003	XB



Thermometer

Art. Nr.
5032240000107
5 units box

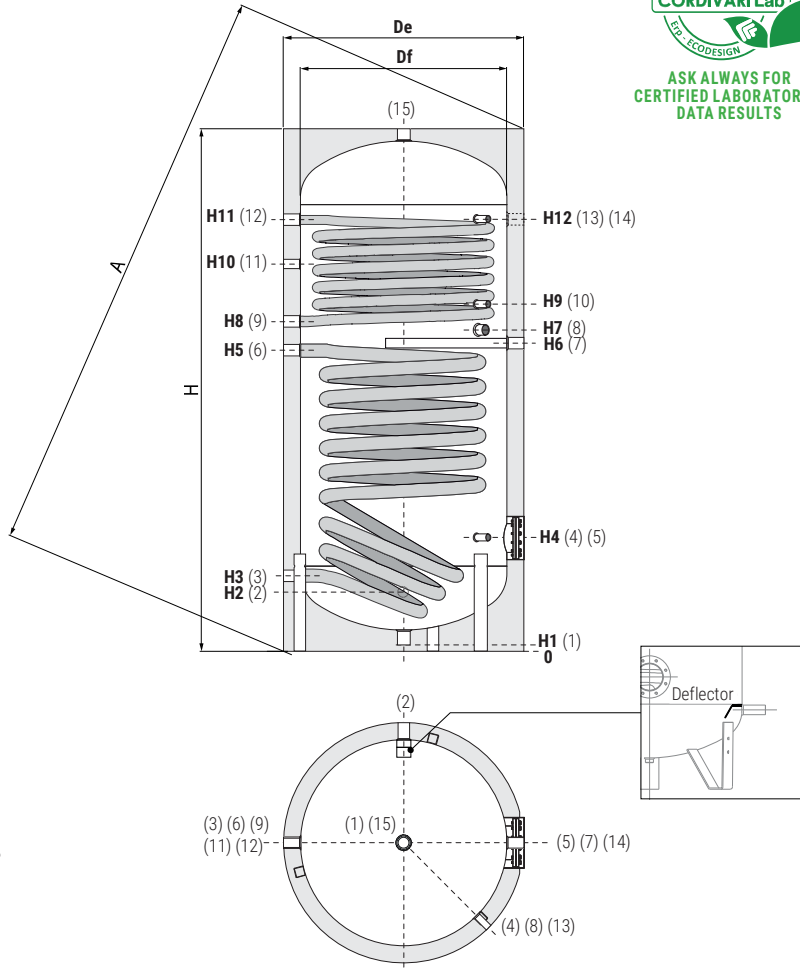
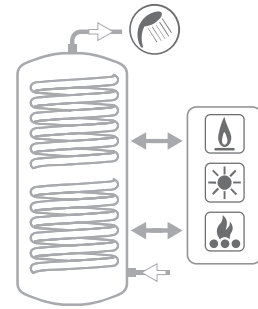


BOLLY® 2 ST INOX

316 L STAINLESS STEEL DOMESTIC HOT WATER CALORIFIER WITH 2 FIXED HEAT EXCHANGERS

STORAGE		HEAT EXCHANGER	
Pmax	Tmax	Pmax	Tmax
6 bar	95 °C	12 bar	110 °C

CORDIVARI® Lab
TÜV Rheinland Energie und Umwelt GmbH states that test procedures and Cordivari LAB are certified conforming to European standard EN 15332, as indicated by Ecodesign ErP Directive.



- 1 Drain
- 2 Domestic cold water circuit inlet
- 3 Primary circuit outlet
- 4 Connection for instrumentation 1/2" Gas F
- 5 Blind flange for inspection Ø 120 mm
For models >1000 connection Ø 160 mm
- 6 Primary circuit inlet 1" 1/4 Gas F
- 7 Connection for magnesium anode 1" 1/4 Gas F
- 8 Connection for electrical immersion 1" 1/2 Gas F
For models >500 connection 2" Gas F
- 9 Upper heat exchanger outlet
- 10 Connection for instrumentation 1/2" Gas F
- 11 Recirculation
- 12 Upper heat exchanger inlet
- 13 Connection for instrumentation 1/2" Gas F
- 14 Connection for 2nd anode 1" 1/4 Gas F (only for models > 500)
- 15 Domestic hot water outlet

HARD FOAM INSULATION (XB)

Model	Volume [lt]	Df	De	H	A	H1	H2	H3	H4	H5	H6	H7	H8	H9	H10	H11	H12	1	2	8	3-6 9-12			11	15
																					[mm]				
150	149	400	500	1426	1511	71	199	276	316	766	816	886	946	995	1066	1186	1186	1/2"	3/4"	1" 1/2"	1"	3/4"	1"		
200	191	450	550	1446	1547	71	209	296	326	822	866	926	971	1056	1100	1206	1206	1/2"	3/4"	1" 1/2"	1"	3/4"	1"		
300	293	550	650	1501	1636	76	236	326	386	847	886	946	996	1072	1116	1236	1236	1/2"	1"	1" 1/2"	1"	1"	1"		
400	425	600	700	1776	1909	71	246	346	395	998	1026	1086	1132	1264	1331	1475	1486	1/2"	1"	1" 1/2"	1"	1"	1"		
500	503	650	750	1796	1946	71	256	356	411	1046	1086	1154	1196	1274	1341	1485	1496	1/2"	1"	1" 1/2"	1"	1"	1"		

SOFT FLEECE INSULATION (XC)

Model	Volume [lt]	Df	De	H	A	H1	H2	H3	H4	H5	H6	H7	H8	H9	H10	H11	H12	1	2	8	3-6 9-12			11	15
																					[mm]				
800	759	790	1010	1943	1968	114	323	423	478	998	1043	1113	1163	1260	1331	1475	1533	3/4"	1"	2"	1" 1/4"	1"	1" 1/4"		
1000	902	800	1020	2192	2231	112	317	422	487	1266	1292	1347	1382	1442	1567	1802	1802	3/4"	1"	2"	1" 1/4"	1"	1" 1/4"		
1300	1272	950	1210	2213	2269	118	313	438	483	1213	1248	1318	1368	1427	1578	1788	1798	1"	1" 1/4"	2"	1" 1/4"	2"	2"		
1500	1398	1000	1260	2197	2260	93	327	452	497	1227	1242	1302	1332	1462	1542	1752	1762	1"	2"	2"	1" 1/4"	2"	2"		
2000	2018	1250	1510	2070	2204	85	350	475	520	1035	1065	1160	1215	1345	1390	1565	1575	1"	2"	2"	1" 1/4"	2"	2"		

P.E.D. product designed and produced in conformity to the article 4.3 of directive 2014/68/EU - ErP Ecodesign directive 2009/125/CE

EXTRA- BOLLY® CALORIFIERS
BOLLYTERM® CALORIFIERS
STAINLESS STEEL CALORIFIERS
CALORIFIERS FOR HEAT PUMP
MULTIFUEL ENERGY CYLINDERS - PUFFER
HYDRONIC
INERTIAL TANKS
WATER PRESSURE TANKS
COMPRESSED AIR RECEIVERS
ACCESSORIES AND SPARE PARTS
TECHNICAL SUPPORT